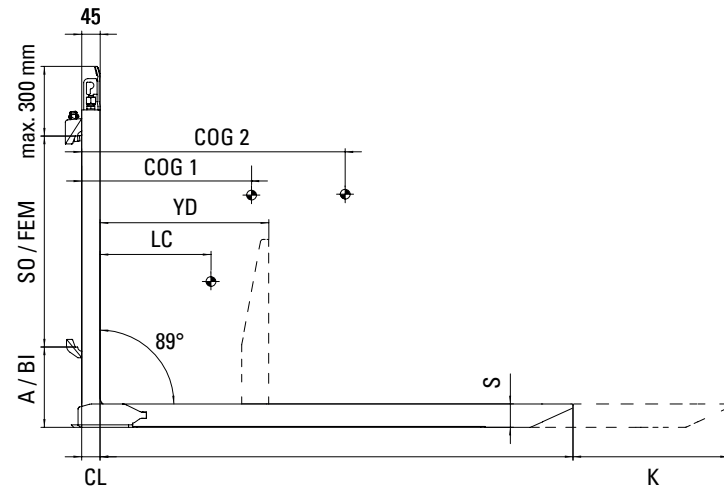
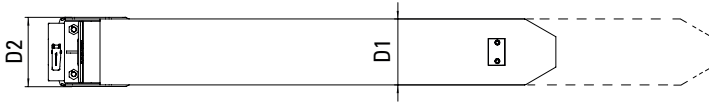


## ReachForks for Loading and Unloading Trucks

# MAIN SPECIFICATIONS


**Recommended Models**

Model	Capacity on LC 600 (mm)	Section D1/D2xS (±mm)	L/K (±mm)	C (±mm)	CoG1h (±mm)	CoG2h (±mm)	CoGv (±mm)	Weight pair (kg)	ISO/FEM	Palletstops YD-Y2 (±mm)	Pallet Behind Each
RG4 25 1350/1000	2500	161/169x57	1350/1000	45	464	737	97	213	FEM2A	150	1200+1200
RG4 24 1400/1000		161/169x57	1400/1000		496	740	98	212			
RE4 32 1350/1000	3200	161/169x48	1350/1000	45	424	681	129	208	FEM3A	150	1200+1200
RE4 32 1400/1000		161/169x48	1400/1000		455	682	131	205			
RG4 35 1350/1000	3500	161/169x57	1350/1000	45	441	699	125	225	FEM3A	150	1200+1200
RG4 35 1400/1000		161/169x57	1400/1000		471	702	127	224			
RG4 45 1350/1000	4500	161/169x57	1350/1000	45	441	699	125	225	FEM3A	150	1200+1200
RG4 45 1400/1000		161/169x57	1400/1000		471	702	127	224			
RG5 58 1350/1000	5800	161/169x62	1350/1000	50	405	620	189	277	FEM4A	150	1200+1200
RG5 58 1400/1000		161/169x62	1400/1000		432	624	190	276			
RG4 60 1350/1000	6000	161/169x62	1350/1000	50	405	620	189	277	FEM4A	150	1200+1200
RG4 60 1400/1000		162/169x62	1400/1000		432	624	190	276			

**Technical features:**

- Each of the two ReachForks has one cylinder, providing a high working speed with sufficient pulling and pushing force.
- Retracted length, stroke length and suspension can be customer specific. The most common ReachForks are listed below.
- A minimum working pressure of 160 bar and a maximum of 250 bar is required for the proper functioning of the ReachForks
- Too many hydraulic liters (flow) results in unnecessary heat and energy loss. Optimally, ReachForks function with a flow of 12-25 l/min.
- All ReachForks with model indication RG have an integrated equalizing valve, making a "flow divider" unnecessary.
- For optimal operation of the ReachForks, a passage of hydraulic components such as hoses and couplings require a minimum passage of 8 mm.
- The models marked RGN are slightly thicker (higher) than the RG models but have less deflection.
- RG models are mounted in series according to the hydraulic diagram.
- The ReachForks are guaranteed to be used in cold stores up to a maximum temperature of minus 30 degrees celsius.
- The capacity of each ReachFork is engraved in the fork back and on the nameplate. The capacity of the ReachForks is not the capacity of the forklift.
- The forklift supplier is responsible for the combination forklift and telescopic forks regarding residual capacity and proper assembly.