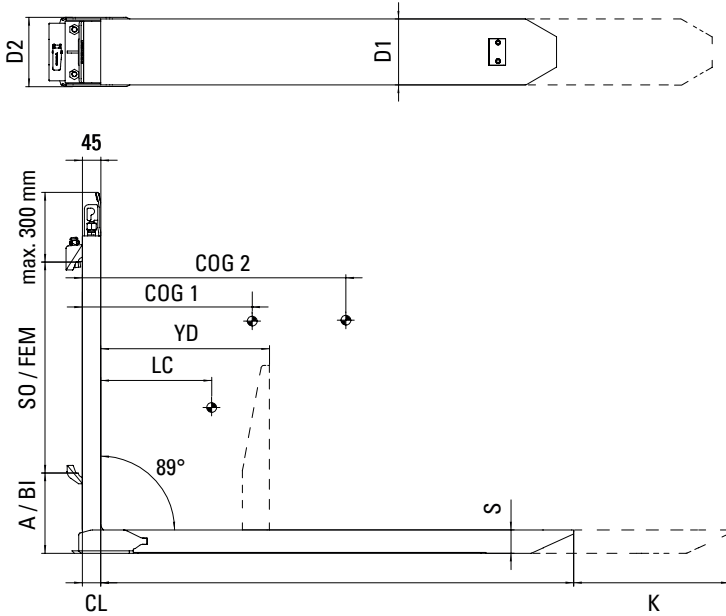


ReachForks for Slide-Loader and Heavy Forklifts

MAIN SPECIFICATIONS



Recommended Models										
Model	Capacity on LC 600 (mm)	Section D1/D2xS (±mm)	L/K (±mm)	C (±mm)	CoG1h (±mm)	CoG2h (±mm)	CoGv (±mm)	Weight pair (kg)	ISO/FEM	Pallet dept YD-Y2 1200
RG4 77 1400/1000	7700	215/227x68	1350/1000	50	429	662	184	377	FEM4A	150
RG4 80 1400/1000	8000	215/227x68	1350/1000	50	429	662	184	377	FEM4A	150
RE4 105 1400/1000	10500	215/227x78	1350/1000	60	418	615	217	462	FEM5A	150
RE4 120 1400/1000	12000	215/227x78	1400/1000	70	445	648	201	509	FEM5A	200
RE8 116 1400/1000	11600	330/338x62	1400/1000	50	392	574	270	650	FEM5B	200
RE8 150 1400/1000	15000	442/454x68	1400/1000	65	367	548	369	1078	-	200
RE8 300 1800/1400	30000	456/472x92	1800/1400	70	582	898	293	1571	-	YD-Y0

Technical features:

- Each of the two ReachForks has one cylinder, providing a high working speed with sufficient pulling and pushing force.
- Retracted length, stroke length and suspension can be customer specific. The most common ReachForks are listed below.
- A minimum working pressure of 160 bar and a maximum of 250 bar is required for the proper functioning of the ReachForks
- Too many hydraulic liters (flow) results in unnecessary heat and energy loss. Optimally, ReachForks function with a flow of 12-25 l/min.
- The outer sleeves are sized to be easily maneuvered into the pallet pockets.
- All ReachForks with model indication RG have an integrated equalizing valve, making a "flow divider" unnecessary.
- For optimal operation of the ReachForks, a passage of hydraulic components such as hoses and couplings require a minimum passage of 8 mm.
- The models marked RGN are slightly thicker (higher) than the RG models but have less deflection.
- RG models are mounted in series according to the hydraulic diagram.
- The ReachForks are guaranteed to be used in cold stores up to a maximum temperature of minus 30 degrees celsius.
- The capacity of each ReachFork is engraved in the fork back and on the nameplate. The capacity of the ReachForks is not the capacity of the forklift.
- The forklift supplier is responsible for the combination forklift and telescopic forks regarding residual capacity and proper assembly.